

Pig's Head Created by Leyla Torres (From her "Pig Box" Model)

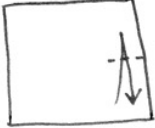






This head is only one part of a 2-piece model, an "Origami Pig and Candy Box". It is an original design by Leyla Torres and can be found on her origami site and blog, "Origami Spirit": <https://www.origamispirit.com/>

If you'd like to fold the entire model, follow her video tutorial found on her January 13, 2019 post.

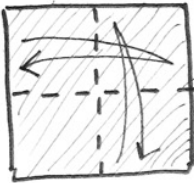
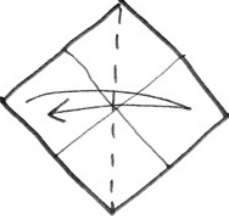
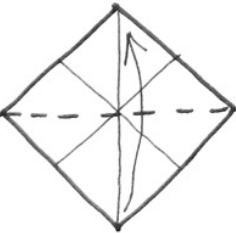
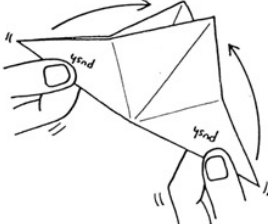
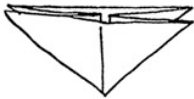
~ Drawings by Mary Ellen Palmeri ~

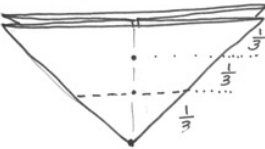
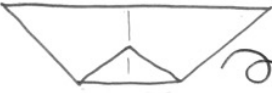
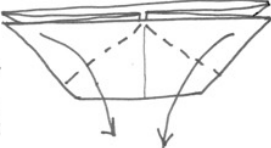
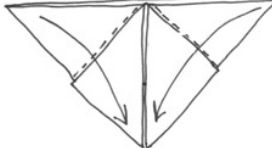
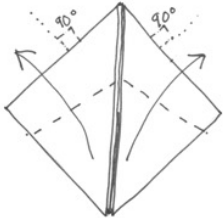
If folding both the head & the box-body, paper for the head needs to be 3/4 size of the paper for the box. Start with two papers the same size and follow these steps to prepare the 3/4 size for the head:

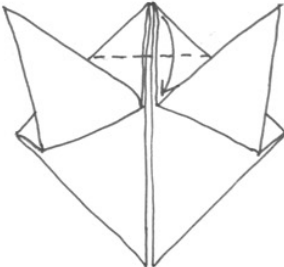
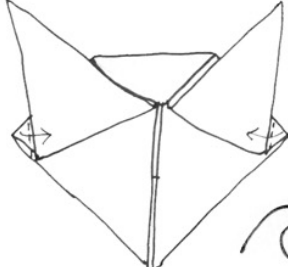
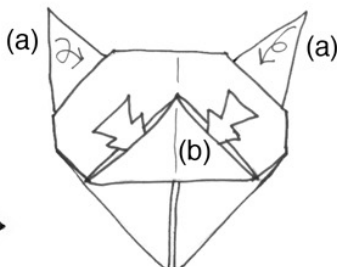
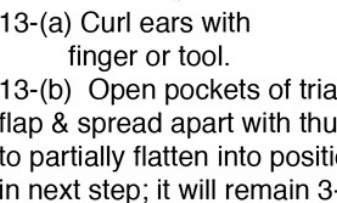
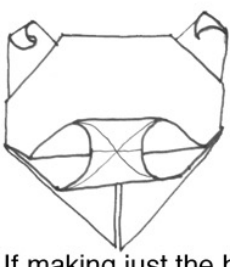
PREPARE 3/4 PAPER:

- 
- P1. Find center of side edge: pinch-fold & unfold
- 
- P2. Fold bottom up to pinch mark; crease & unfold
- 
- P3. Remove bottom section
- 
- P4. Find center of top edge (longer side); pinch-fold & unfold
- 
- P5. Fold short edge to pinch mark; crease & unfold
- 
- P6. Remove folded strip
- 
- P7. Remaining square is now 3/4 of original square size

BEGIN WITH WATERBOMB BASE:

- 
1. Colored Side Up: Crease & unfold the horizontal & vertical centers, then turn model over...
- 
2. Crease & unfold diagonal
- 
3. Fold bottom point up to top point
- 
4. Collapse into a waterbomb base: hold along folded side & push in towards center, allowing triangle shape to form. See next step for results ...
- 
5. The result is a triangle form which is the traditional "Waterbomb Base"

- 
6. Fold up bottom to a point 1/3 from top
- 
7. Turn model over...
- 
8. Fold top flaps down to meet at center; see next step for positioning
- 
9. Repeat last step with remaining flaps
- 
10. Fold top points up as shown; note the 90° angles that the edges make (see next step)

- 
11. Fold top point down as shown.
- 
12. Fold over small side corners, then TURN MODEL OVER...
- 
- 13-(a) Curl ears with finger or tool.
- 
- 13-(b) Open pockets of triangle flap & spread apart with thumbs to partially flatten into position shown in next step; it will remain 3-D
- 
14. If making just the head fold bottom flaps behind & tuck under ear flaps to use as a card embellishment or other decoration.

** [Stop here if going to add the box/body; if making only the head, continue on...]